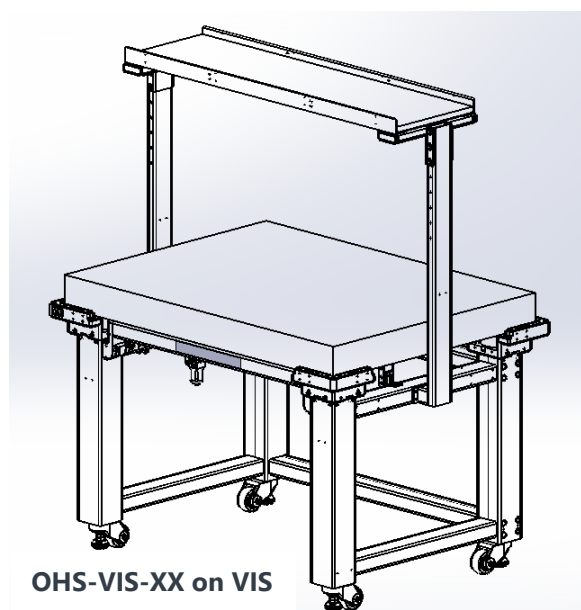
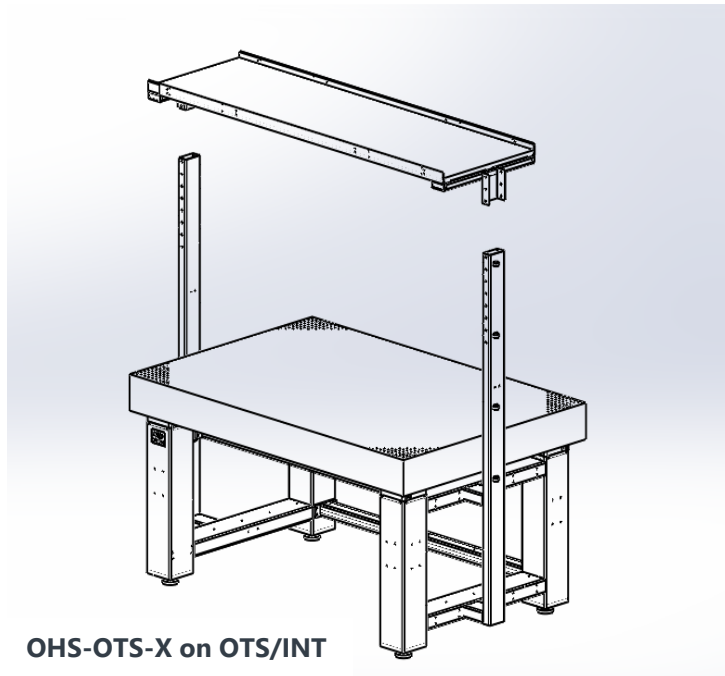


Overhead Shelf Installation Quick Guide

OTS/INT/VIS Table-mounted OHS Shelf Installation

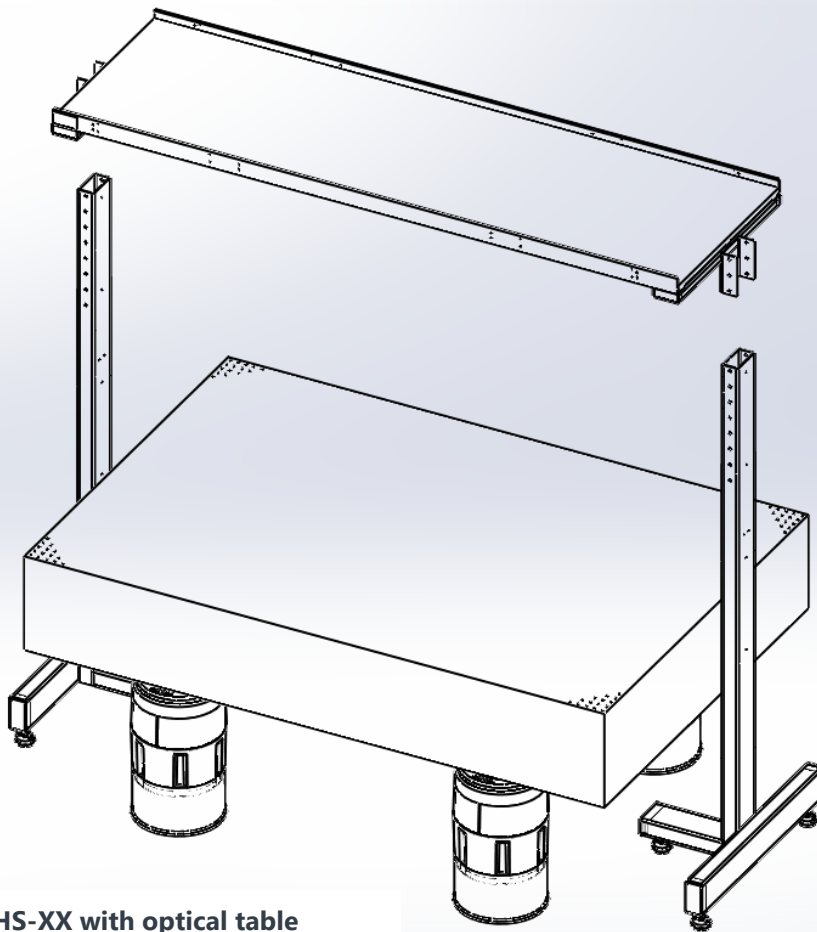
The table-mounted shelf for OTS/INT and VIS can attach at three locations (only one for OTS/INT 3ft (900mm) version) along the depth of the frame. Determine your desired location based upon clearance and accessibility needs and inspect those mounting holes prior to installation.

1. Position the vertical supports in front of the mounting hole location and use fasteners to install the supports to frame. At this point, install but do not fully tighten down.
2. Have a colleague assist with lifting the shelf assembly into position and attachment hardware to fasten shelf to the vertical supports. Make sure all connections are secure by tightening down the bolts.



Free Standing OHS Shelf Installation

1. After removing the vertical supports from crate, attach (3) leveling feet at the bottom of each of the supports. Then position the them at the ends of a table as shown on the picture.
2. Have a colleague assist with lifting the shelf assembly into position and attachment hardware to fasten shelf to the vertical supports. Make sure all connections are secure by tightening down the bolts.

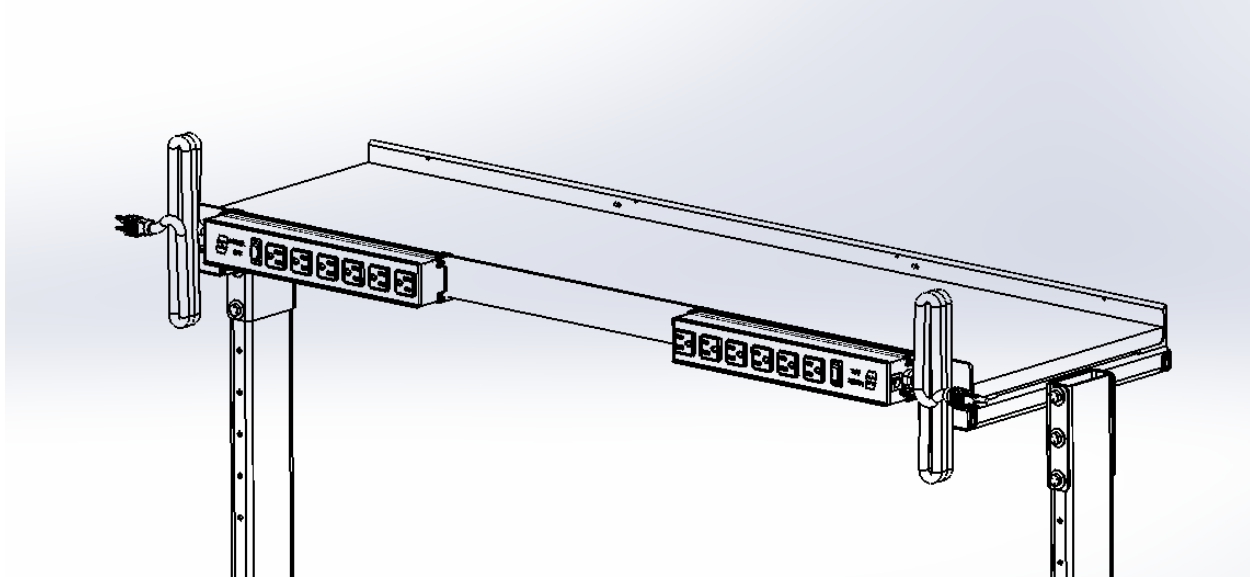


**OHS-XX with optical table
supported by S-2000A isolators**

Power Strip Installation

Power strips may be purchased separately and mounted directly to an overhead shelf using provided hardware.

OHS-PS-US the power strip version for US is mounted via (4X) M4x07 holes on the shelf brace



OHS-PS-FR for France, OHS-PS-DE for Germany, OHS-PS-UK for United Kingdom, and OHS-PS-IL the Israel version are mounted via (4X) M6x1.0 threaded holes.

